

TSD-46



■ Features

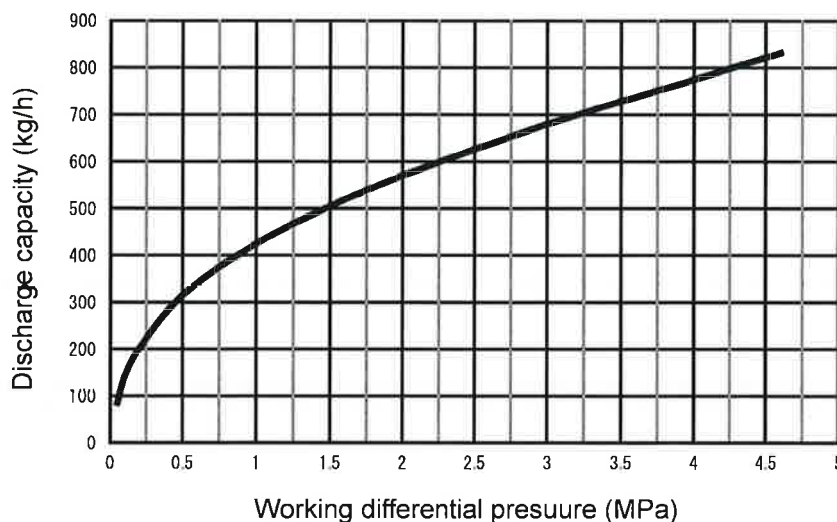
1. TSD-46 is a thermodynamic steam trap with maximum working pressure 4.6MPa.
2. Wetted parts are made of stainless steel and the body is made of forged stainless steel.
3. The maximum discharge capacity is 830kg/h (refer to the maximum continuous discharge capacity chart).



■ Specifications

Model		TSD-46
Connection		Socket weld (ASME)
Nominal size		15A, 20A, 25A
Application		Steam condensate
Working Pressure		0.05 - 4.6MPa
Allowable back pressure		50% or less of inlet pressure
Maximum temperature		425 °C
Installation direction		Horizontal and vertical
Material	Body	Forged stainless steel
	Disc	Stainless steel
	Valve seat	Stainless steel

■ Maximum Continuous Discharge Capacity Chart (15A-25A)



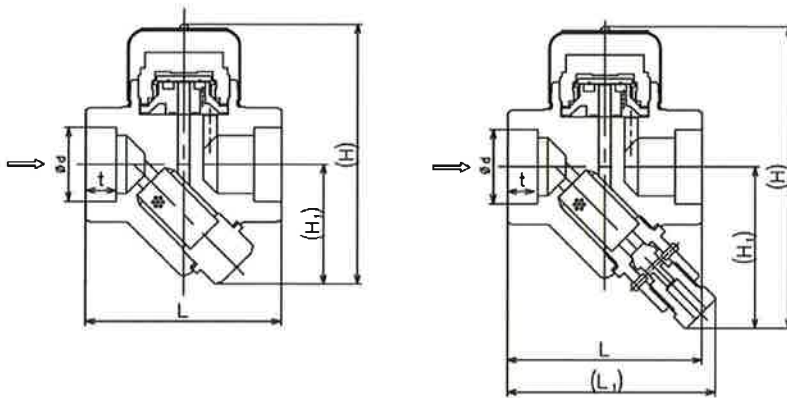
■ Dimensions (mm) and Weights (kg)

• TSD-46

Size	Connection	d	L	d	H1	H	Weight
15A	Socket weld (ASME)	22	90	11	55	120	1.8
20A		27.4	90	14	55	120	1.7
25A		34.1	90	14	55	120	1.6

• TSD-46 with option (blow down valve)

Size	Connection	d	L	L1	t	H1	H	Weight
15A	Socket weld (ASME)	22	90	97	11	75	140	1.9
20A		27.4	90	97	14	75	140	1.8
25A		34.1	90	97	14	75	140	1.7



■ Blowdown Valve (option)

Blowdown valve is available as an option. It is used to discharge condensate, scale or dirt utilizing internal pressure to the atmosphere.



Structure

